

ARLEC

65 Watt

Heated Towel Rail

Free Standing



TH0001

User Manual

FOR PERSONAL INDOOR USE ONLY

WARNING! To reduce the risk of fire, electric shock or personal injury, read understand and follow instructions before using this towel rail

IMPORTANT SAFEGUARDS

- Read all instructions before using this product.
- READ THESE INSTRUCTIONS CAREFULLY. Keep them handy for future reference.
- This appliance is intended to warm and dry towels and therefore is hot to touch. When used by or near young children or infirm persons, close supervision is necessary. Young children should be supervised to ensure that they do not play with the appliance.
- Always unplug the towel rail when not in use
- Do NOT use this appliance for any other than its intended use.
- To avoid a hazard this heated towel rail MUST NOT be used to carry towels or any other articles that have been in contact with oil, petroleum based products or dry cleaning fluids.
- Do not use outdoors, the product is designed only for household use. DO NOT immerse in any liquid
- Connect to properly earthed socket outlet of the appropriate voltage.
- Use the heater only as described in this manual. Any other use not recommended by the manufacturer may cause fire, electric shock, or injury
- Use this appliance only with the voltage specified on the rating label, or elsewhere in these instructions.
- This product must be used in conjunction with a hardwired switch.
- Keep these instructions handy for future reference.

ASSEMBLY

To assemble, slide the legs inside the leg mounts attached to the towel rail body, align the screw holes and secure it using the screws provided.

The portable heated towel rail **MUST** only be used with the legs fitted.

Care and Cleaning

- The Heated Towel Rail is best wiped down from time to time with a damp cloth. **DO NOT USE ANY ABRASIVE OR CORROSIVE CLEANERS.**

TECHNICAL SPECIFICATIONS	
Model	TH0001
Rated Power	65-70 Watt
Rated Frequency	50Hz
Power Supply	230-240V~
Dimensions	890 x 730 x 340mm

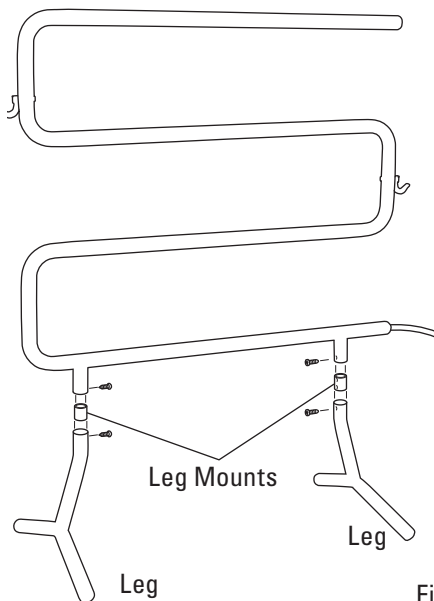


Fig 1

WARRANTY

Arlec guarantees this product in accordance with the Australian Consumer Law.

Arlec also warrants to the original first purchaser of this product ("you") from a retailer that this product will be free of defects in materials and workmanship for a period of 12 months from the date of purchase; provided the product is not used other than for the purpose, or in a manner not within the scope of the recommendations and limitations, specified by Arlec, is new and not damaged at the time of purchase, has not been subjected to abuse, misuse, neglect or damage, has not been modified or repaired without the approval of Arlec and has not been used for commercial purposes ("Warranty").

If you wish to claim on the Warranty, you must, at your own expense, return the product, and provide proof of original purchase and your name, address and telephone number, to Arlec at the address below or the retailer from whom you originally purchased the product within 12 months from the date of purchase.

Arlec will (or authorise the retailer to) assess any claim you may make on the Warranty in the above manner and if, in Arlec's reasonable opinion, the Warranty applies, Arlec will at its own option and expense (or authorise the retailer to) replace the product with the same or similar product or repair the product and return it to you or refund the price you paid for the product. Arlec will bear its own expenses of doing those things, and you must bear any other expenses of claiming on the Warranty.

The Warranty is in addition to other rights and remedies you may have under a law in relation to the product to which the Warranty relates. Our goods come with guarantees that cannot be excluded under the Australian Consumer Law. You are entitled to a replacement or refund for a major failure and for compensation for any other reasonably foreseeable loss or damage. You are also entitled to have the goods repaired or replaced if the goods fail to be of acceptable quality and the failure does not amount to a major failure.

ARLEC

Arlec Australia Pty. Ltd. ACN 009 322 105 ("Arlec") gives the Warranty.

Arlec's telephone number, address and email address are:

Customer Service: (03) 9982 5111

Building 3, 31 – 41 Joseph Street, Blackburn North, Victoria, 3130

Blackburn North LPO, P.O. Box 1065, Blackburn North, 3130

Email: custservice@arlec.com.au

Made in China

CPIN2193/3